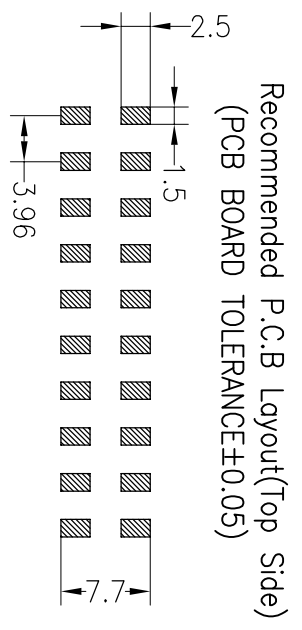
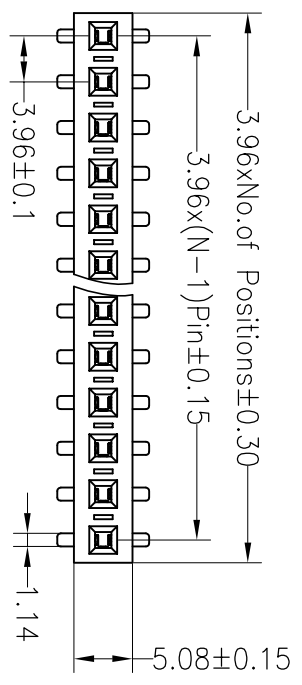


# HSE ROHS

## SPECIFICATIONS

Rated Current: 7.0AMP  
 Contact Resistance: 20mΩ Max  
 Withstand Voltage: 1000V AC/DC  
 Insulation Resistance: 1000MΩ Min  
 Operation Temperature: -40°C to +105°C

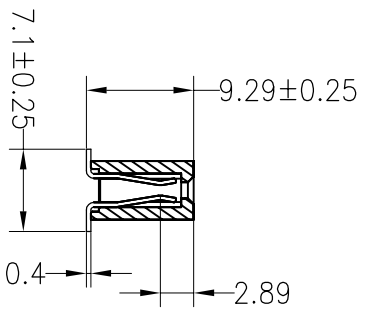
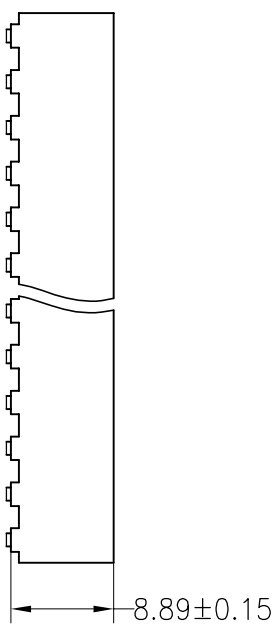
Contact Material: Brass  
 Contact Plating: Sn Over Ni  
 Insulator Material: Polyester (UL94V-0)  
 Standard: LCP  
 Max. Processing Temp: 230°C for 30-60 seconds  
 (260°C for 10 seconds)



## Ordering Information

2989 01 XX F N XX M UX 01

No. of Pins Per Row: 1\*2~1\*20  
 Insulator Material Option:  
 A=BK-PBT  
 B=BK-PA66  
 C=BK-PA6T  
 D=BK-PA46  
 E=BK-PA9T  
 F=BK-LCP  
 Contact Plating:  
 G=Gold Flash  
 S0:Gold Flash/Tin  
 SN:Tin  
 SM:Matte-Tin  
 Packing:  
 O=PE Bag  
 A=Tray  
 T=Tube  
 R=Reel



OPERATION		DRAW		SCALE	FIT	PART NO.	
X.X	±0.30	YYuSheng	12.09.21	UNIT	mm	298901XXFNXXMUX01	
X.XX	±0.20	CHECK		SIZE	A4		
X.XXX	±0.10			SHEET	1/1		
Angle	±3°	APPROVE		PROJ.		TITLE:	
DIM	TOL					3.96PF H8.89mm 1xNpin SMT	
REV	DATE	MODIFICATION DESCRIPTION	CHANGE				
1	2012.09.21	NEW DRAWING					

**JIN** 深圳市锦凌电子有限公司  
 SHENZHEN JINLING ELECTRONIC CO.,LTD  
 Tel: 86-755-2997-5806/5802 Fax: 86-755-2997-5892