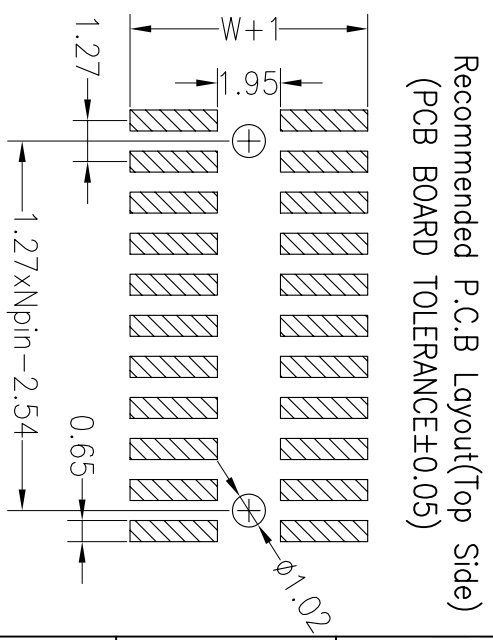
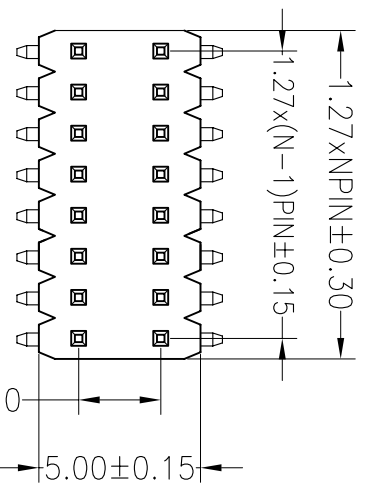


SPECIFICATIONS

Rated Current: 1.0AMP
 Contact Resistance: 20mΩ Max
 Withstand Voltage: 500V AC/DC
 Insulation Resistance: 1000MΩ Min
 Operation Temperature: -40°C to +105°C

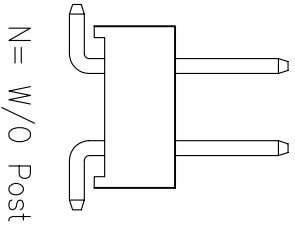
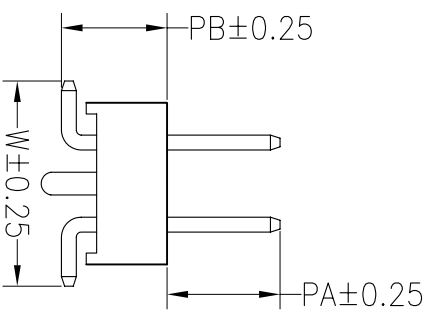
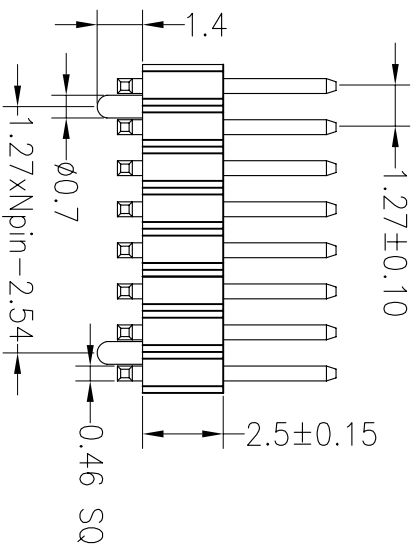
Contact Material: Brass
 Contact Plating: Au or Sn Over Ni
 Insulator Material: Polyester (UL94V-0)
 Standard: PA6T
 Max. Processing Temp: 230°C for 30-60 seconds
 (260°C for 10 seconds)



Ordering Information

15251 2 XX X X XX M XXX X 01

No. of Pins Per Row: 2*1~2*50
 Insulator Material Option:
 A=BK-PBT, B=BK-PA6T, C=BK-PA6T, D=BK-PA6T, E=BK-PA6T, F=BK-LCP
 Post: W=With Post, N=W/O Post
 Contact Plating:
 G0:Gold Flash, G1:3U" Gold, G2:5U" Gold, G3:10U" Gold, G4:15U" Gold, G5:30U" Gold
 SN:Tin
 Packing:
 0=PE Bog, A=Troy, T=Tube, P=Tube+Cap, R=Reel+Cap



Dimension antitheses list

ITEM	PA	PB	W	L
Standard	6.00	3.00	7.50	11.0
Alternate				

JIN 深圳市锦凌电子有限公司
 SHENZHEN JINLING ELECTRONIC CO.,LTD
 Tel: 86-755-2997-5806/5802 Fax: 86-755-2997-5992

OPERATION	DRAW	Ben	14.05.06	SCALE	FIT	PART NO.
X.X	±0.30			UNIT	mm	152512XXXXXXMXXXX01
X.XX	±0.20	CHECK		SIZE	A4	
X.XXX	±0.10			SHEET	1/1	
Angle	±3°	APPROVE		PROJ.		
DIM	TOL					TITLE:
						1.27*2.54PH H2.50mm 2xNpin SMT