

SPECIFICATIONS

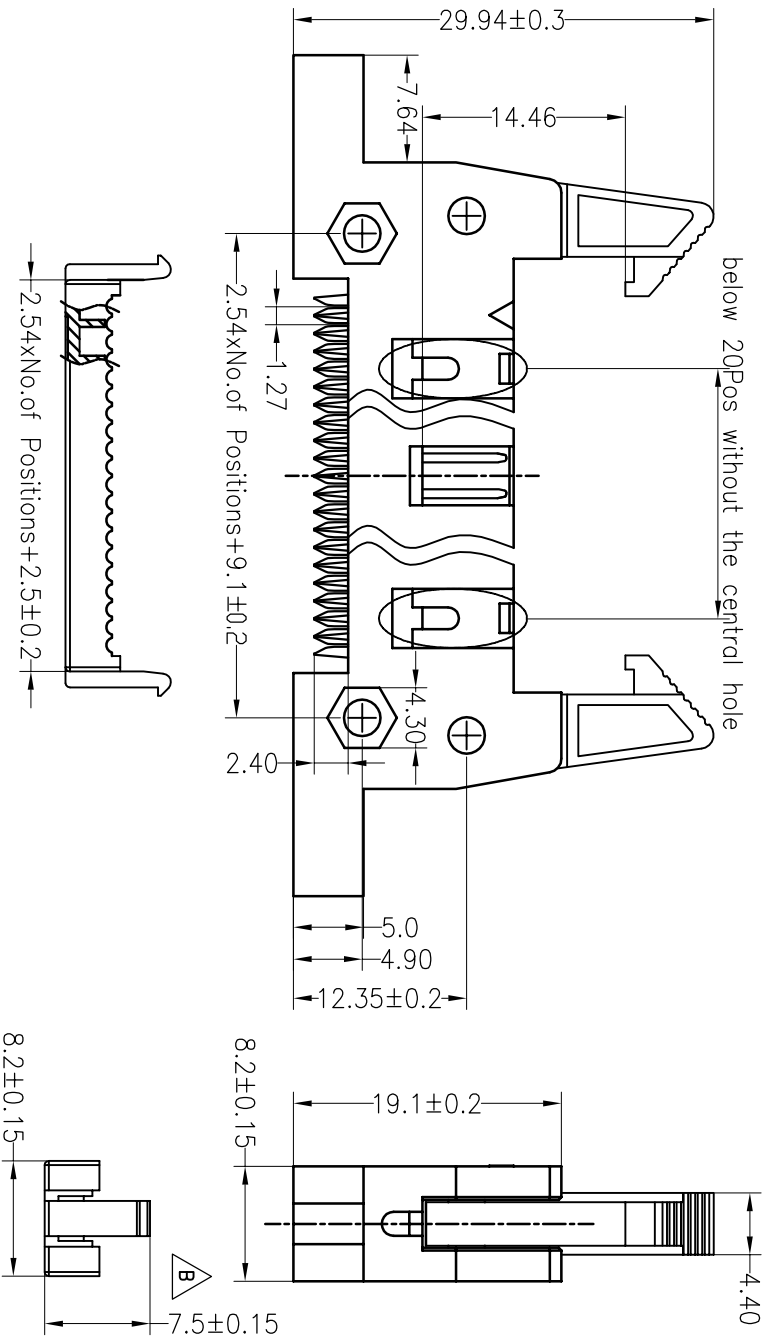
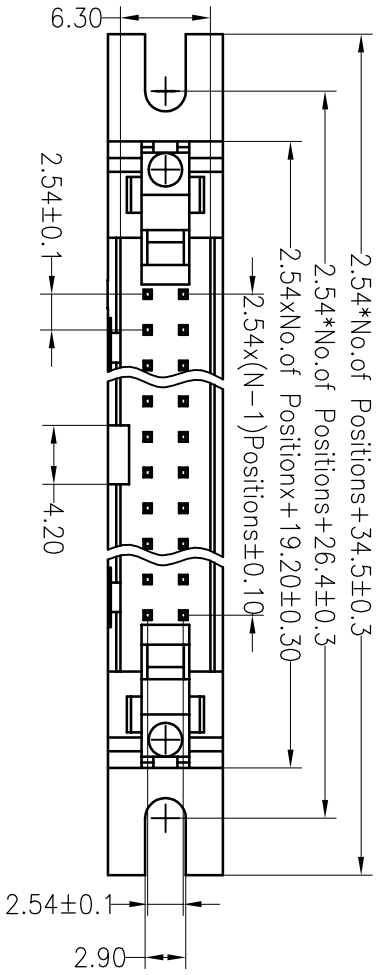
Rated Current: 3.0AMP
 Contact Resistance: 20mΩ Max
 Withstand Voltage: 1000V AC/DC
 Insulation Resistance: 1000MΩ Min
 Operation Temperature: -40°C to +105°C

Contact Material: Brass
 Contact Plating: Au or Sn Over Ni
 Insulator Material: Polyester (UL94V-0)
 Standard: PBT
 Max. Processing Temp: 180°C for 30-60 seconds
 (200°C for 10 seconds)

Ordering Information

3920 XX XX W X L A 01

No. of Pins 8-64P
 Contact Plating
 G0: Gold Flash
 G1: 3U" Gold
 G2: 5U" Gold
 G3: 10U" Gold
 G4: 15U" Gold
 G5: 30U" Gold
 S0: Gold Flash/Tin
 SN: Tin
 Insulator Color
 B=Black
 G=Grey



OPERATION		DRAW		SCALE		FIT		TITLE:	
X.X	±0.30	YYuSheng	14.04.09	UNIT	mm	A4	1/1	PART NO. 3920XXXXXXWXL A01	
X.XX	±0.20	CHECK		SIZE		SHEET	1/1	2.54mm Ejector Header IDC-Type	
X.XXX	±0.10	APPROVE		PROJ.					
Angle	±3°								
DIM	TOL								
CHANGE									
REV	DATE	MODIFICATION DESCRIPTION							
A0	2012.03.28	NEW DRAWING							
B	2014.04.09	Change cover high size(6.52 → 7.50)							
1									

JIN 深圳市锦凌电子有限公司
 SHENZHEN JINLING ELECTRONIC CO.,LTD
 Tel: 86-755-2997-5806/5802 Fax: 86-755-2997-5892