

SPECIFICATIONS

Rated(额定参数): 300V,8A
 Dielectric strength(抗电强度): AC1500V/1 Minute
 Insulation Resistance(绝缘电阻):1000MΩ Min
 Contact Resistance(接触电阻):20mΩ Max
 Screw Torque(扭矩): 0.2Nm (1.7Lb.in)
 Wire Range(线径):1.6~2.8AWG
 Strip length(剥线长度):6~7mm
 Temp. range(操作温度): -40℃~+105℃
 MAX Soldering(瞬时温度):+250℃,5s

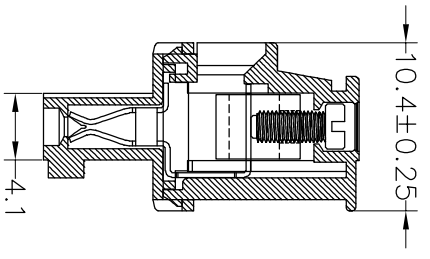
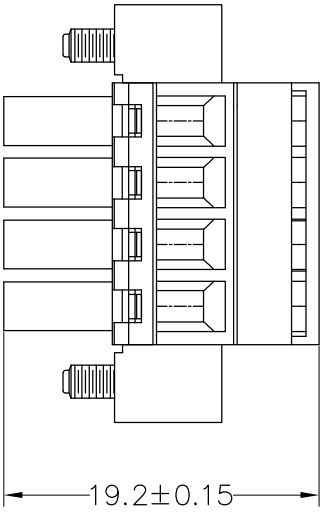
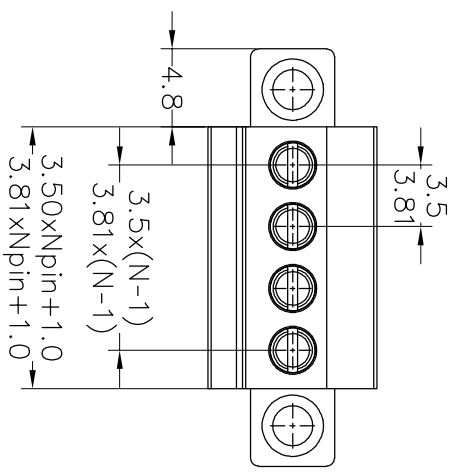
Housing Material(塑件): PA66 (UL94 V-0)
 Contact(端子): Phosphor Bronze, Tin plating(磷铜镀锡)
 Clamp(方块): Brass(黄铜), Ni plating(镀镍)
 Screw (螺丝): M2.0 Steel, Zinc plating(钢,镀锌)

PITCH RANGE	NOMINAL DIMENSION RANGE					
	IN MM		IN MM		IN MM	
OVER 6	OVER 10	OVER 30	OVER 60	OVER 100	OVER 150	OVER 150
TO 6	TO 10	TO 30	TO 60	TO 100	TO 150	TO 150
±0.10	±0.15	±0.25	±0.30	±0.30	±0.50	±0.70 ±1.00

Ordering Information

JL15EDGKBM-XXX XX G X 1

Pitch
 350=3.5PH
 351=3.81PH
 No.of pins
 2P,3P,4P~24P
 Housing Color
 B=Black
 G=Green
 U=Blue
 R=Red
 W=White
 Y=Yellow
 O=Orange
 F=Grey
 Packing
 0=Pe boog
 T=Tube
 A=Troy



OPERATION	DRAW		SCALE	FIT	PART NO.
	XX	±0.30			
X.XX	±0.20	CHECK	A4	1/1	JL15EDGKBM-XXXXXXX1
X:XXX	±0.10	APPROVE	PROL.	◆	3.50/3.81 Pitch Female Pluggable Terminal Blocks
Angle	±3'				
DIM	TOL				

REV	DATE	MODIFICATION DESCRIPTION	CHANGE
A0	2015.08.22	NEW DRAWING	
1			

JIN 深圳市锦凌电子有限公司
 SHENZHEN JINLING ELECTRONIC CO.,LTD
 Tel: 86-755-2997-5806/5802 Fax: 86-755-2997-5992